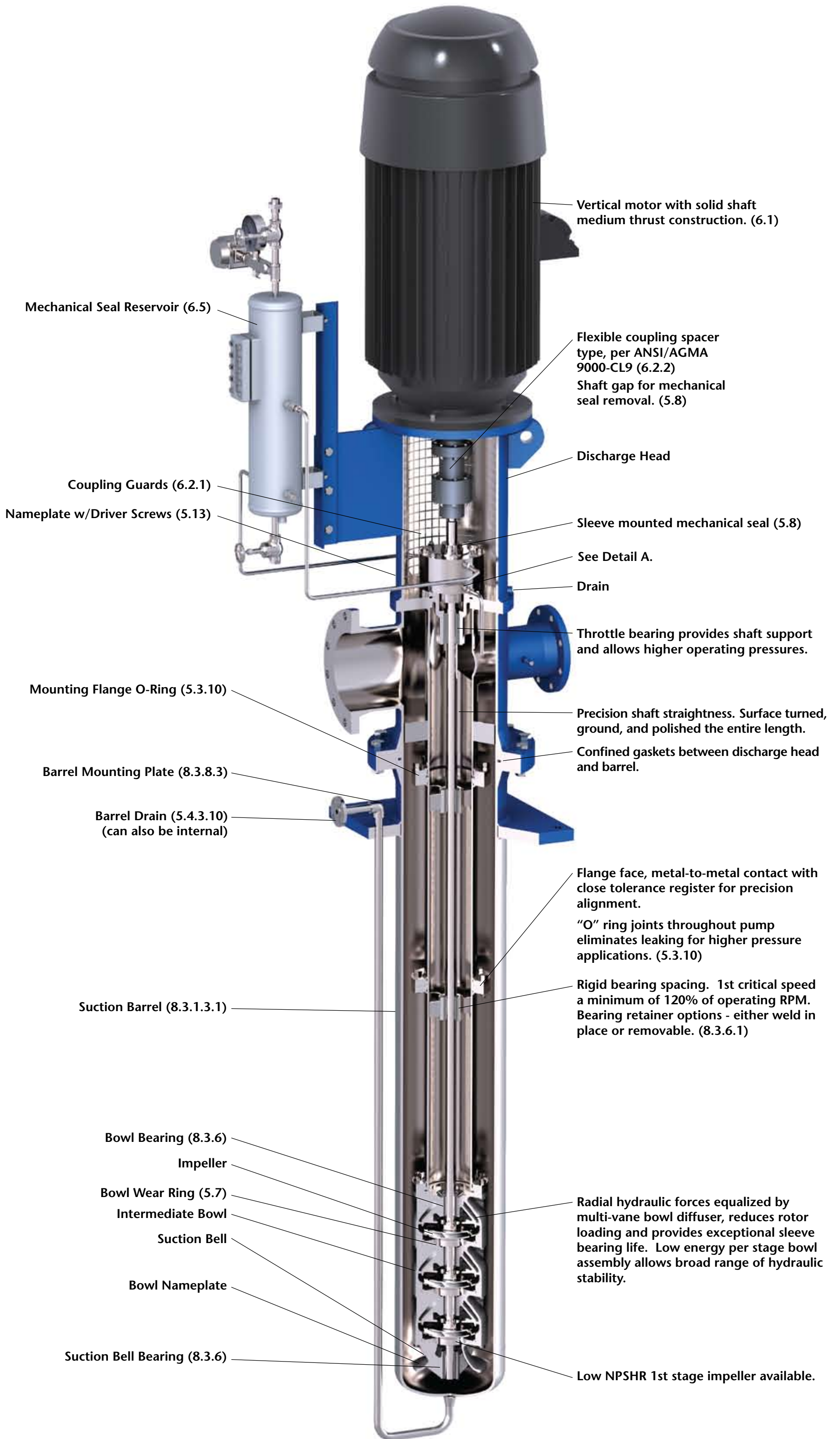


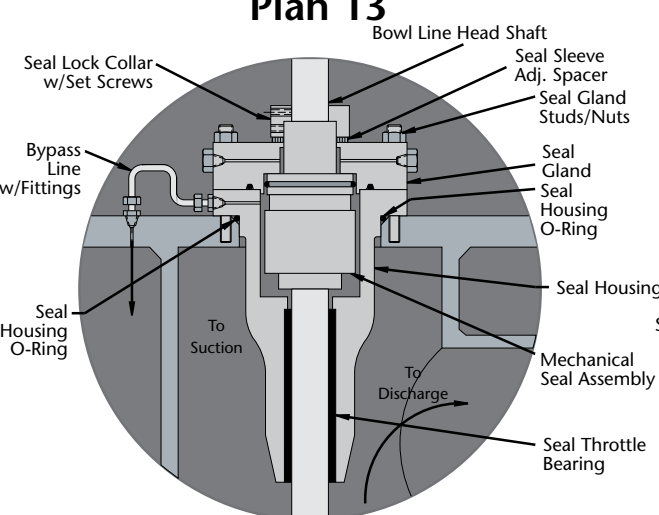
VS6 Double Casing

API-610 Construction Latest Edition

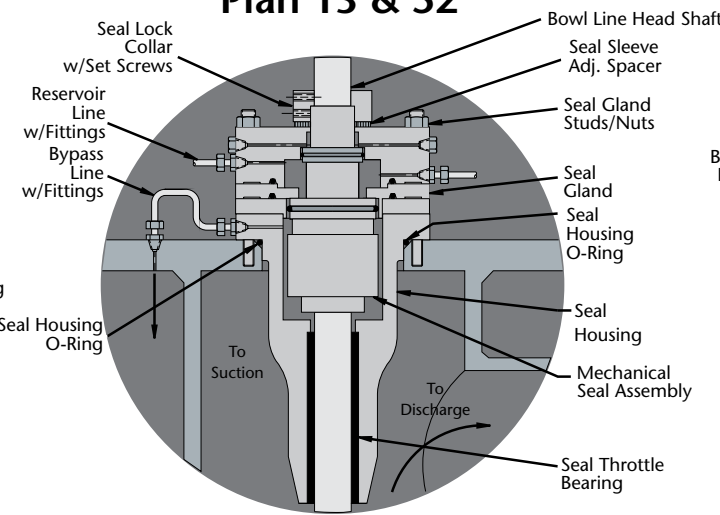


DETAIL A

Mechanical Seal Single Cartridge ISO/21049-API 682 Plan 13



Mechanical Seal Tandem Cartridge ISO/21049-API 682 Plan 13 & 52



DETAIL B

Impeller (5.6.3) Thrust Balanced, Keyed Shaft Mounting, With Wear Rings

